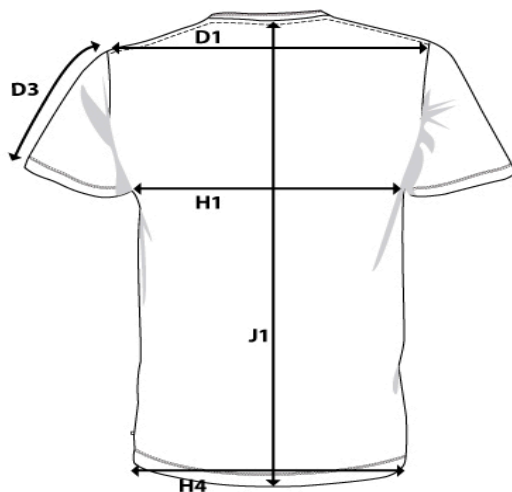
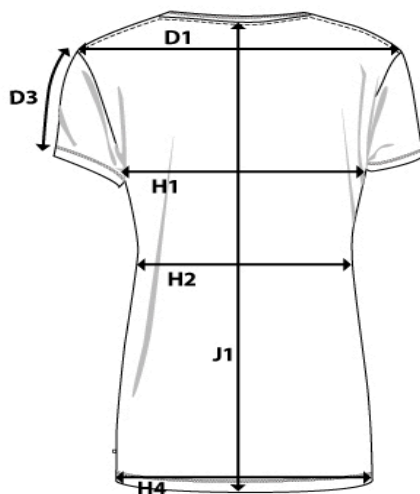


SIZE AND FIT: BEDFORD



BEDFORD Mens

Measurement (in cm)	Diagram	S	M	L	XL	XXL	3XL	4XL
SHOULDER TO SHOULDER	D1	49,5	51	52,5	54	55,5	57	58,5
SLEEVE LENGTH - from shoulder seam	D3	19	20	21	22	23	24	24
CHEST WIDTH at armhole	H1	50	53	56	59	62	65	68
BOTTOM WIDTH	H4	50	53	56	59	62	65	68
FULL LENGTH at centre back	J1	66	68	70	72	74	76	76



BEDFORD Ladies

Measurement (in cm)	Diagram	XS	S	M	L	XL
SHOULDER TO SHOULDER incl sleeve	D1	37	38,5	40	41,5	43
SLEEVE LENGTH - from shoulder seam	D3	12,5	13,5	14,5	15,5	16,5
CHEST WIDTH at armhole	H1	44	47	50	53	56
WAIST	H2	39	42	45	48	51
BOTTOM WIDTH	H4	45	48	51	54	57
FULL LENGTH at centre back	J1	56	58	60	62	64